



**Bring Exquisite Outdoor Garden Living
to Millions of Families**

**R
G
A**

GUMEI PRODUCT SERIES

Customizable size and color



ABOUT US



3 years warranty on electronic equipment



8 years warranty

Foshan Gumei Aluminum Art Building Materials Co., Ltd. is a domestic aluminum art enterprise with a certain scale and a complete industrial chain, We have a core technology research and development team, design team, systematic production workshop, and a huge sales system.

The products include aluminum villa gates, aluminum guardrails and fences, aluminum alloy pergola and grape stands, and aluminum alloy car canopies and drain shelters. The company was founded in 2012 and is located in Qixing Industrial Park, Foshan City (next to Foshan Airport). Through leapfrog development, it has obtained national patents in multiple core technology fields.

GUMEI specializes in delivering tailor-made pergola solutions with over 20,000 satisfied customers worldwide. With extensive customization experience and real-life projects we're here to bring your dream pergola to life. Share your vision with us - even including options, we will make all happen in OEM & ODM.

Let's get started, together





OUR FACTORY

GUMEI, Build Your Pergola



WHAT ARE THE ADVANTAGES?



QUALITY MATERIALS

It is made of 6063-T5 with higher hardness. Each pergola comes with built-in rubber seals inside the louver blades that shield against rain water and eliminate any chatter from wind.



AkzoNobel

POWDER COATED

Powder coated with AkzoNobel Brand allows our pergola to resist the harsh environments.



LED LIGHTING

Custom fit linear LED lighting with two-color snaps in the louver blade and can be dimmable.



WATERPROOF

Special post design to run the water and wire separately.

8

KEY ADVANTAGES



APP CONTROL

Once the smart all-in-one app is download, you can adjust the louvers to create the perfect amount of shade or weather protection by iPhone or android device.



CE CERTIFIED

Electric motor with IP67 is CE certified and is designed as hidden to achieve better looking



QUALITY INSPECTION

Each Pergola is quality tested and certified before it leaves the factory.



EASY TO INSTALL

Product design is easy to install and the professional installation instructions will be offered accordingly.

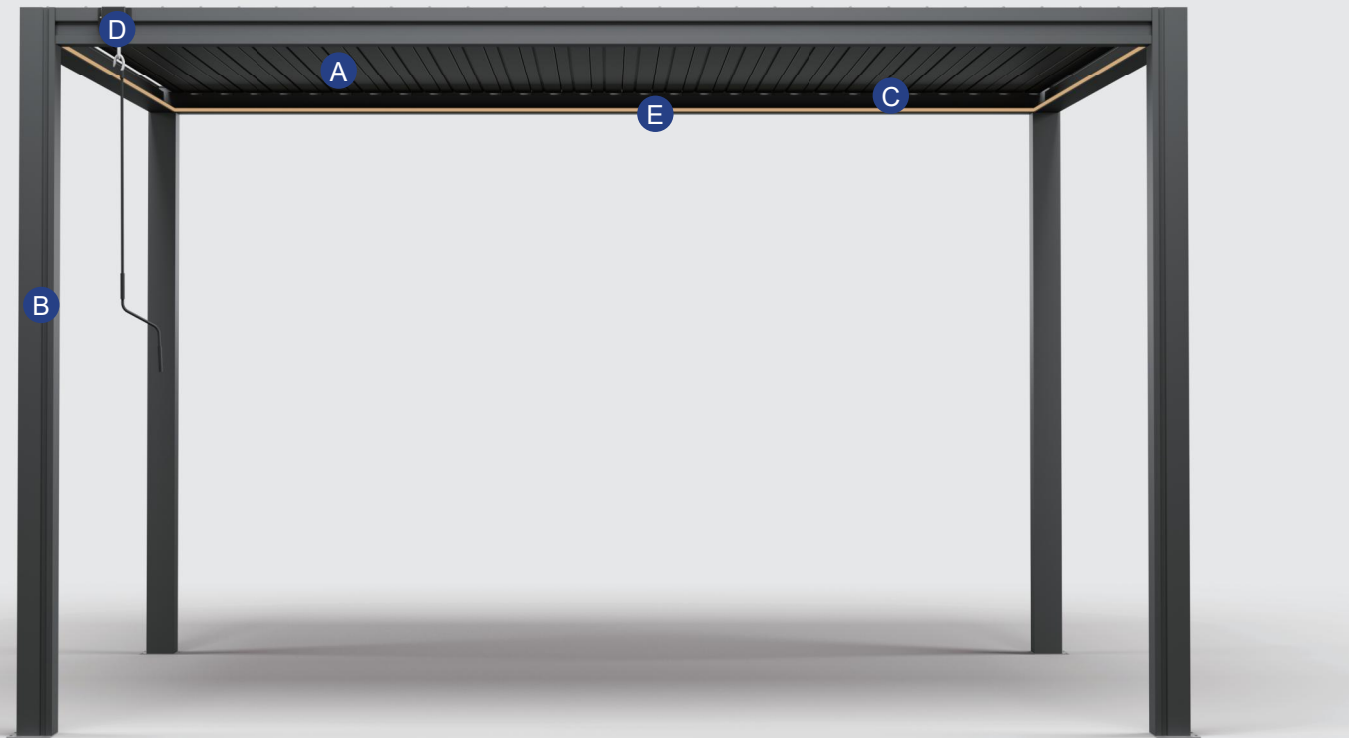


Outdoor Pergola

Outdoor Aluminum Alloy Sunshade Pergola

GM- 163 Series

Manual Pergola



- A Blade
- B Post
- C Beam&Gutter
- D Hand rocker
- E Led Light Strip

COLOR OPTION Custom colors are not supported !



RAL 9016 White

RAL 7011 Grey

MAIN PROFILES

Material	Aluminum 6063-T5
Standard Size	3x3m,3x4m(Standard sizes only)
Standard Height	2.5m
LED Lights Color	3800K warm light / 4000K white light



STANDARD SIZE



3m x 3m



3m x 4m

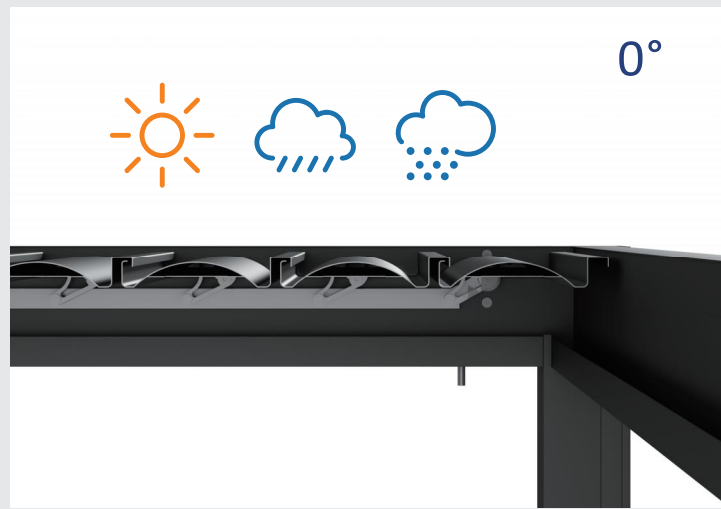
DESIGN OPTION



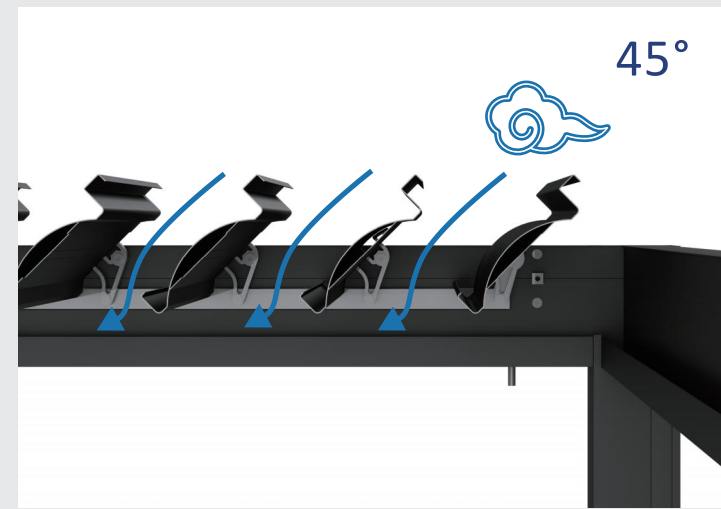
Free standing

DRAINAGE SYSTEM

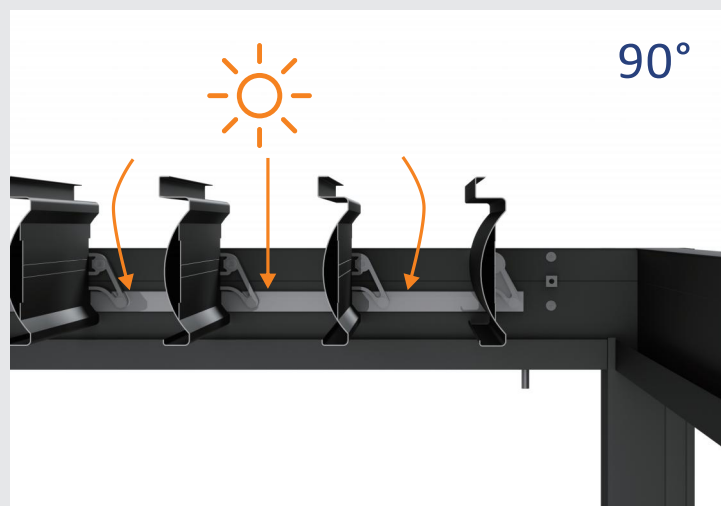
In the event of rain, our pergola is closed to provide complete protection. Water is channeled away discreetly through the internal drain hidden inside the post.



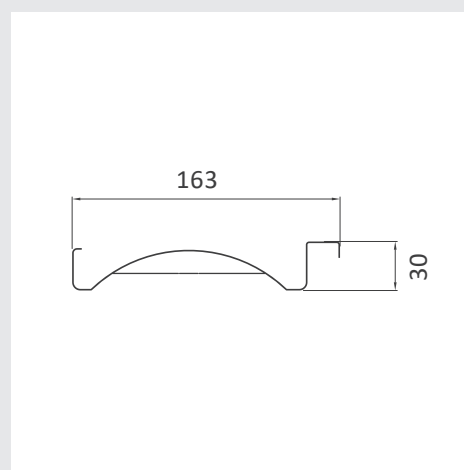
Louvers are designed such that they will interlock to keep out the water, hot sun and snow. Deep channels in each louver carry water away to the in-built surrounding gutter.



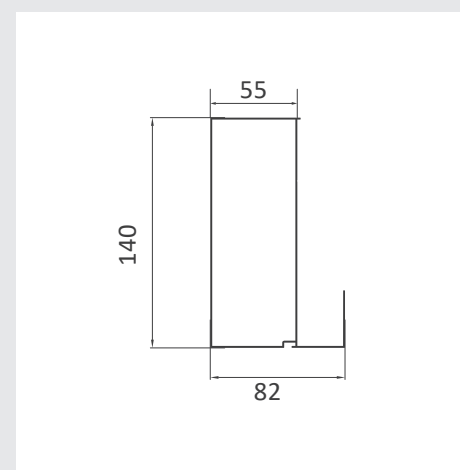
Tilt the louvers like that, the sun is blocked and the fresh air can flush through the opening gaps.



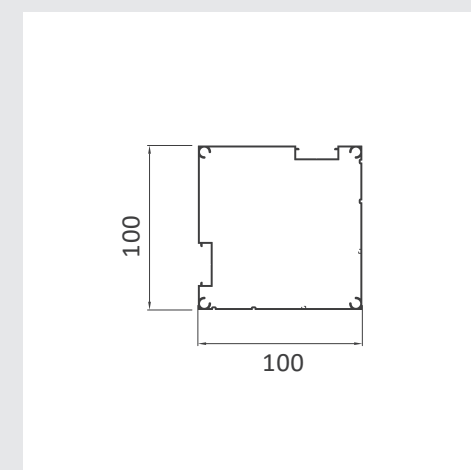
In winter or cooler weather enjoy the natural warmth of sunlight by tilting the louvers to the desired angle with the fingertip touch of your remote control.



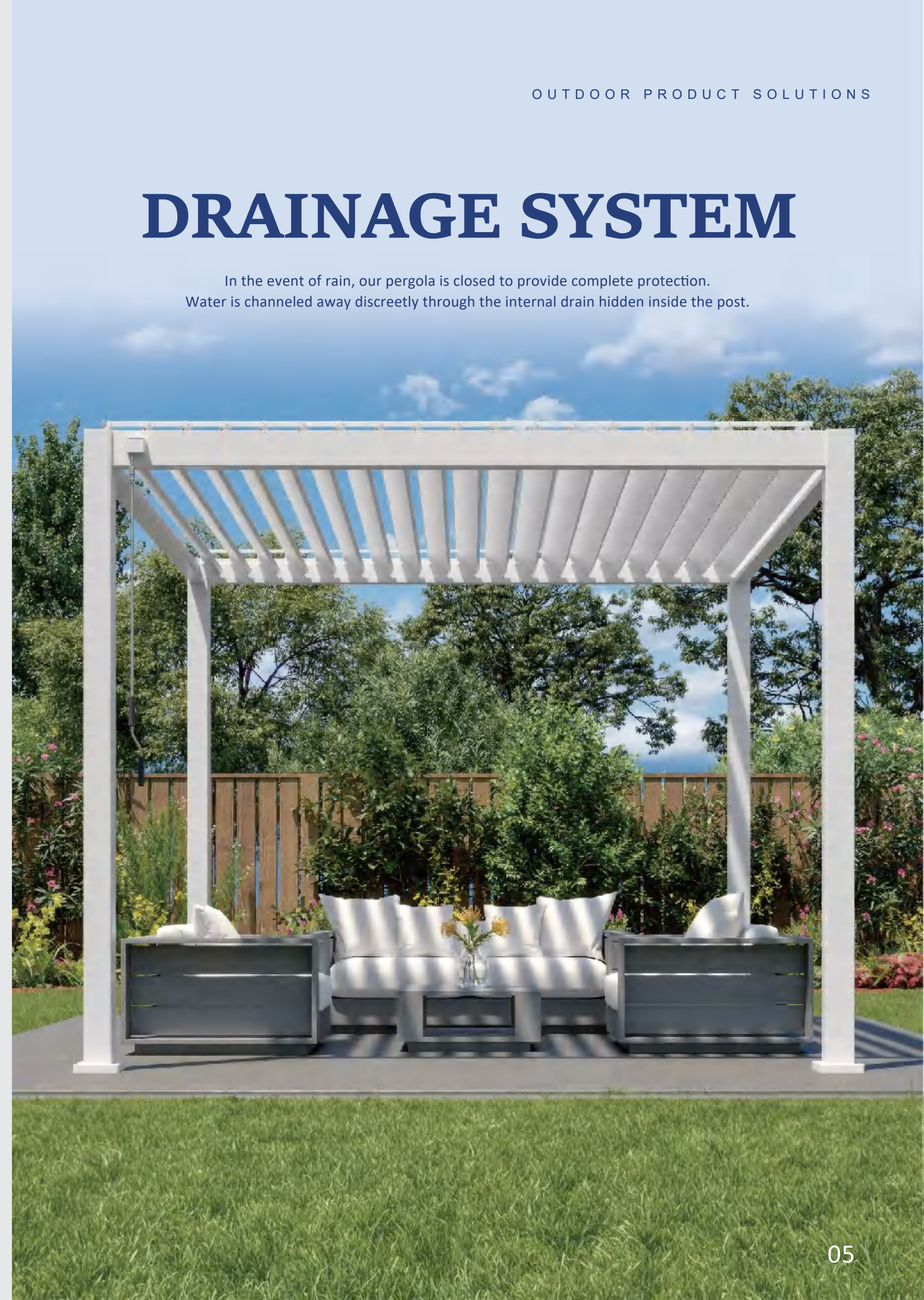
163 Blade



140 Side beam & Gutter



100 Column





Aluminium
Motorized Side Screen



Aluminium
Privacy Slat Wall



Aluminium
Louver Shutters



Outdoor Furniture



WPC Decking



OPTIONAL ITEMS

Can be matched with different items according to your needs.

GM- 168 Series

Motorized / Manual Pergola



- A Blade
- B Post
- C Beam&Gutter
- D Led Light Strip
- E Motor

COLOR OPTION Support custom colors !



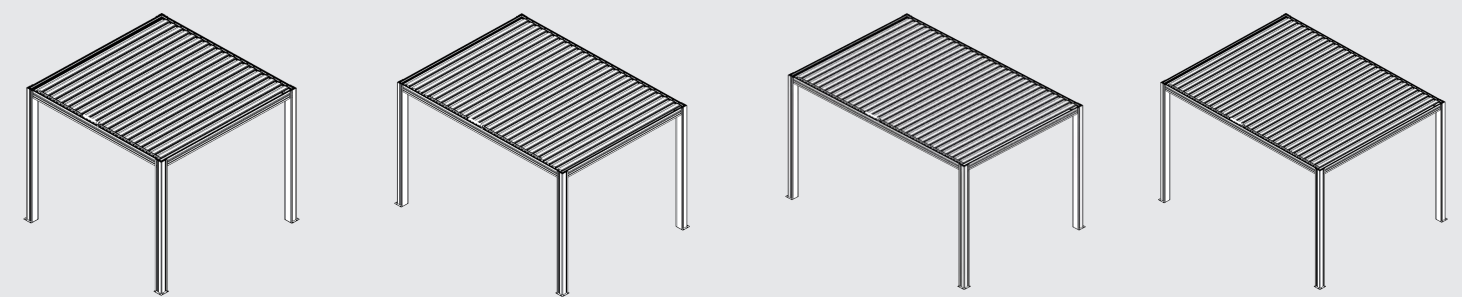
- RAL 9016 White
- RAL 7011 Grey
- RAL 9016 White +RAL 7011 Grey

MAIN PROFILES

Material	Aluminum 6063-T5
Standard Size	3x3m,3x4m,3.5x4m,3.5x4.5m(Max 4 Post size: 3.5x4.5m)
Standard Height	2.5/2.8/3.0m
LED Lights Color	3800K warm light / 4000K white light
Motor Waterproof Rating	IP67



STANDARD SIZE



3m x 3m

3m x 4m

3.5m x 4m

3.5m x 4.5m

DESIGN OPTION



Free standing



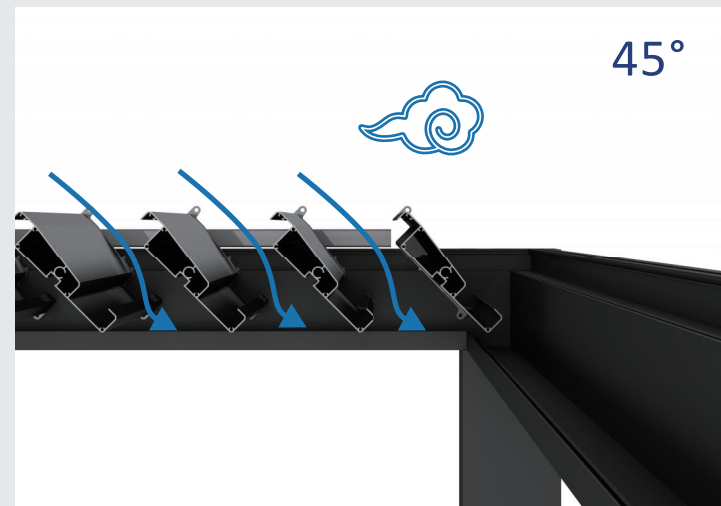
Wall-mounted

DRAINAGE SYSTEM

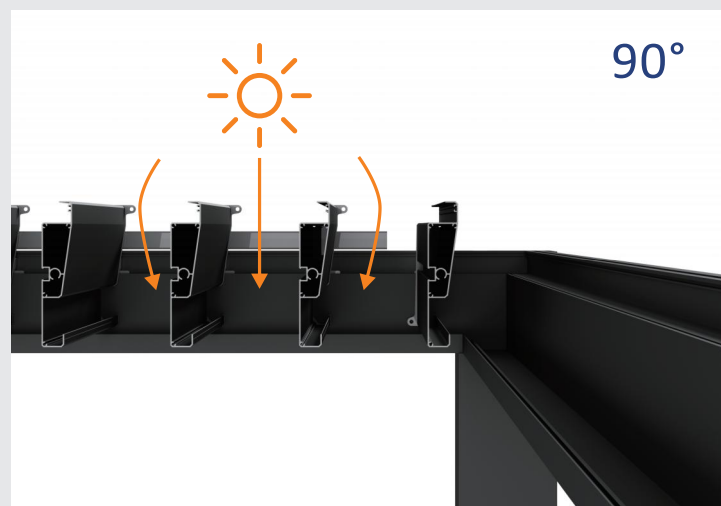
In the event of rain, our pergola is closed to provide complete protection. Water is channeled away discreetly through the internal drain hidden inside the post.



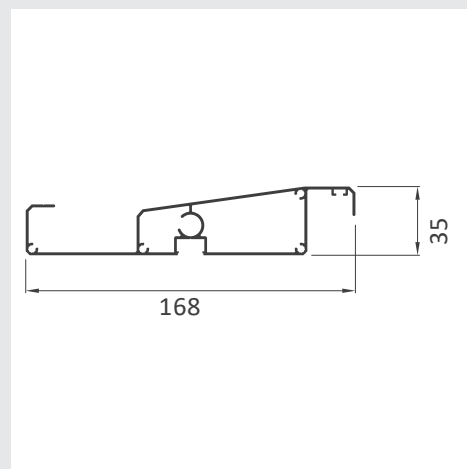
Louvers are designed such that they will interlock to keep out the water, hot sun and snow. Deep channels in each louver carry water away to the in-built surrounding gutter.



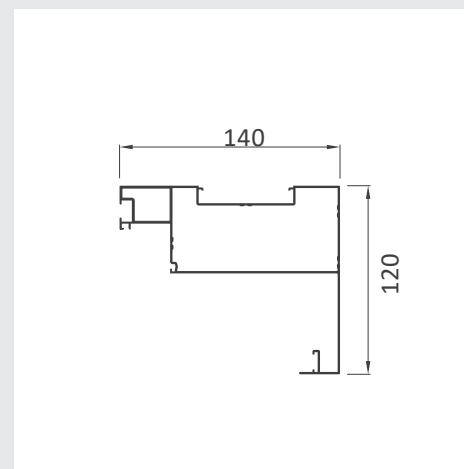
Tilt the louvers like that, the sun is blocked and the fresh air can flush through the opening gaps.



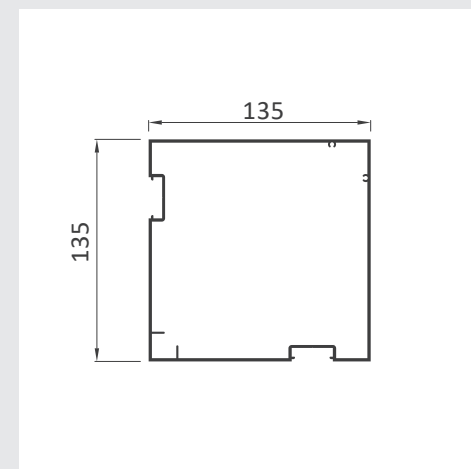
In winter or cooler weather enjoy the natural warmth of sunlight by tilting the louvers to the desired angle with the fingertip touch of your remote control.



168 Blade



140 Side beam & Gutter



135 Column



OPTIONAL ITEMS

Can be matched with different items according to your needs.



Aluminium
Motorized Side Screen



Aluminium
Privacy Slat Wall



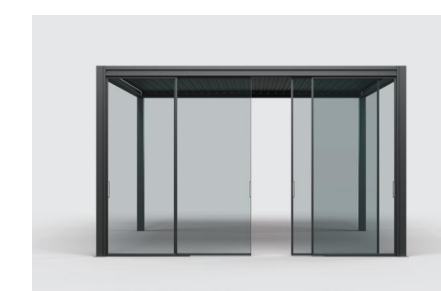
Aluminium
Louver Shutters



Outdoor Furniture



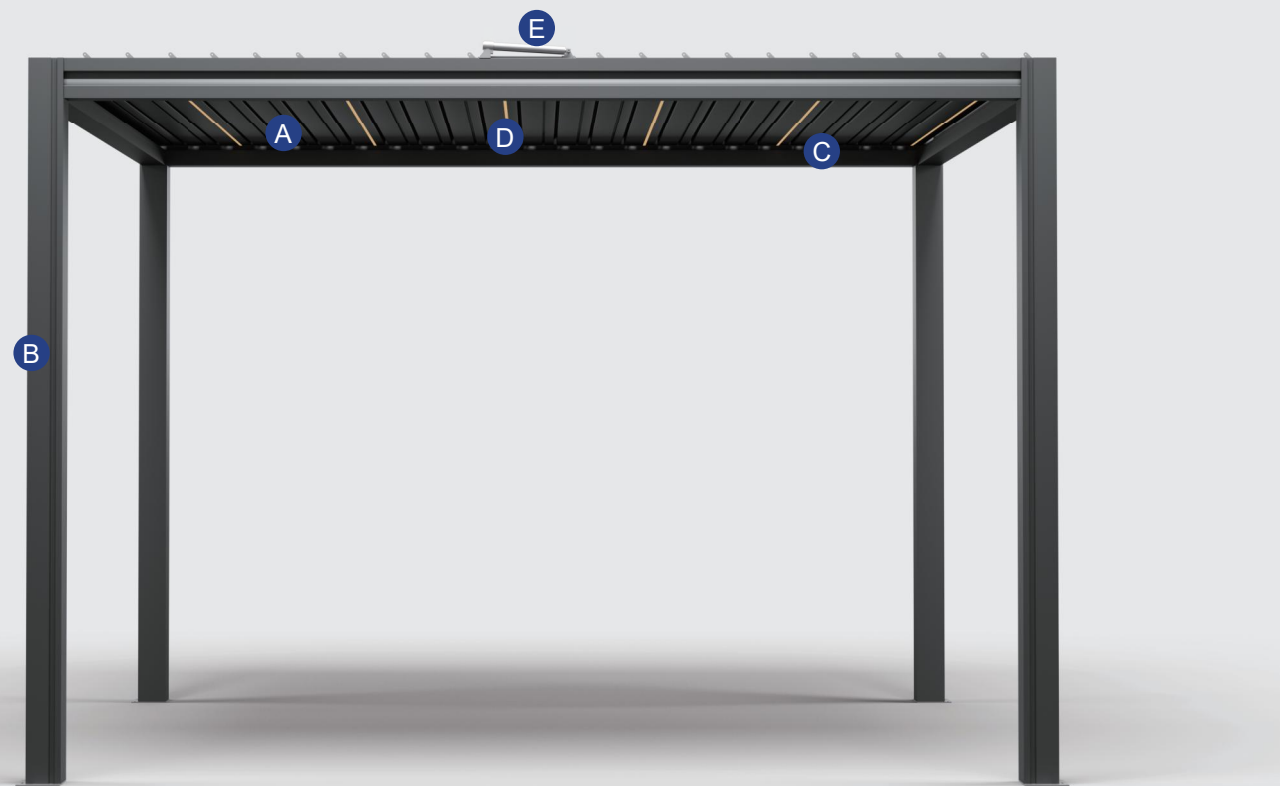
WPC Decking



Sliding Glass Doors

GM- 183 Series

Motorized Pergola



- A Blade
- B Post
- C Beam&Gutter
- D Led Light Strip
- E Motor

COLOR OPTION Support custom colors !



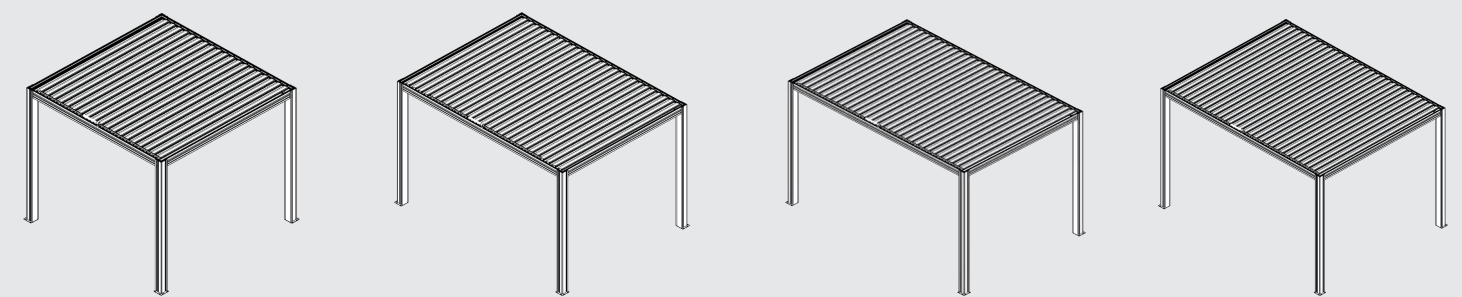
- RAL 9016 White
- RAL 7011 Grey
- RAL 9016 White +RAL 7011 Grey

MAIN PROFILES

Material	Aluminum 6063-T5
Standard Size	3x3m,3x4m,3.5x4m,4x4.5m(Max 4 Post size: 4x4.5m)
Standard Height	2.5/2.8/3.0m
LED Lights Color	3800K warm light / 4000K white light
Motor Waterproof Rating	IP67



STANDARD SIZE



- 3m x 3m
- 3m x 4m
- 3.5m x 4m
- 4m x 4.5m

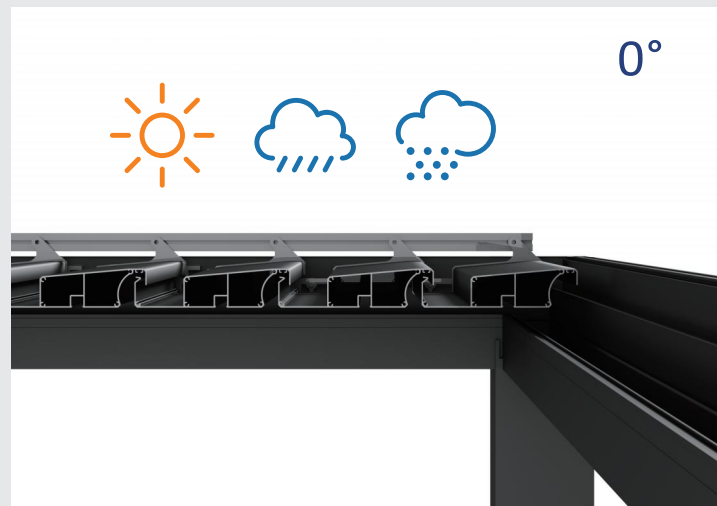
DESIGN OPTION



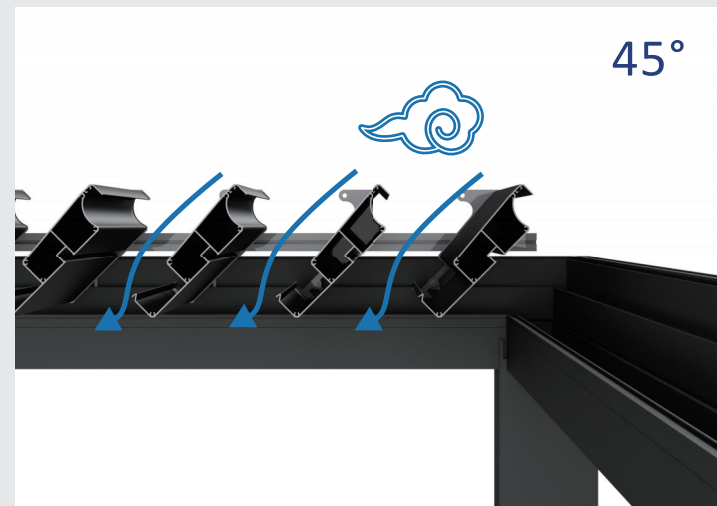
- Free standing
- Wall-mounted

DRAINAGE SYSTEM

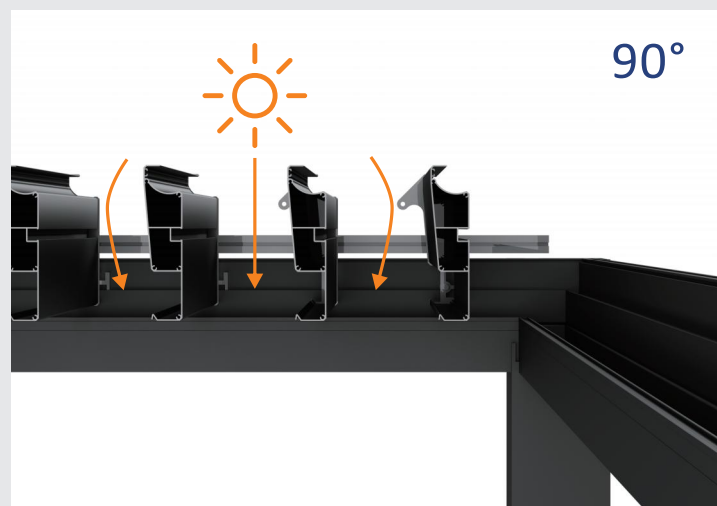
In the event of rain, our pergola is closed to provide complete protection. Water is channeled away discreetly through the internal drain hidden inside the post.



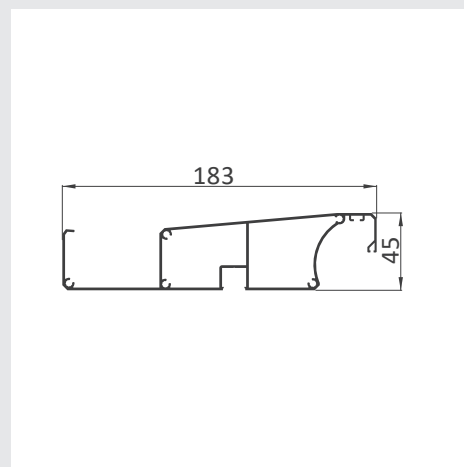
Louvers are designed such that they will interlock to keep out the water, hot sun and snow. Deep channels in each louver carry water away to the in-built surrounding gutter.



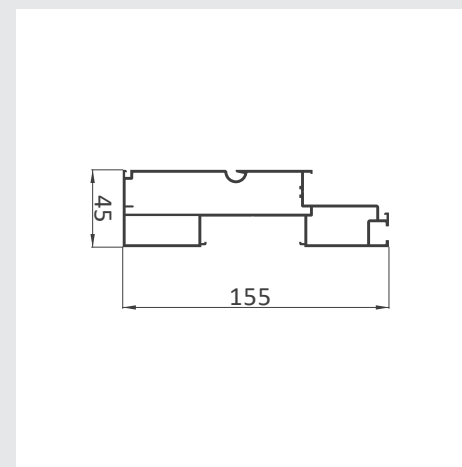
Tilt the louvers like that, the sun is blocked and the fresh air can flush through the opening gaps.



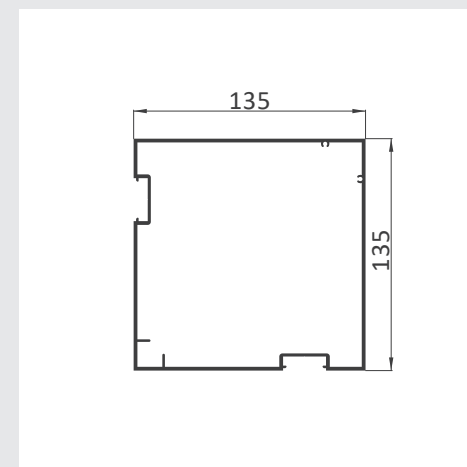
In winter or cooler weather enjoy the natural warmth of sunlight by tilting the louvers to the desired angle with the fingertip touch of your remote control.



183 Blades



155 Side beam



135 Column



OPTIONAL ITEMS

Can be matched with different items according to your needs.




Aluminium
Motorized Side Screen




Aluminium
Privacy Slat Wall




Aluminium
Louver Shutters




Outdoor Furniture




WPC Decking

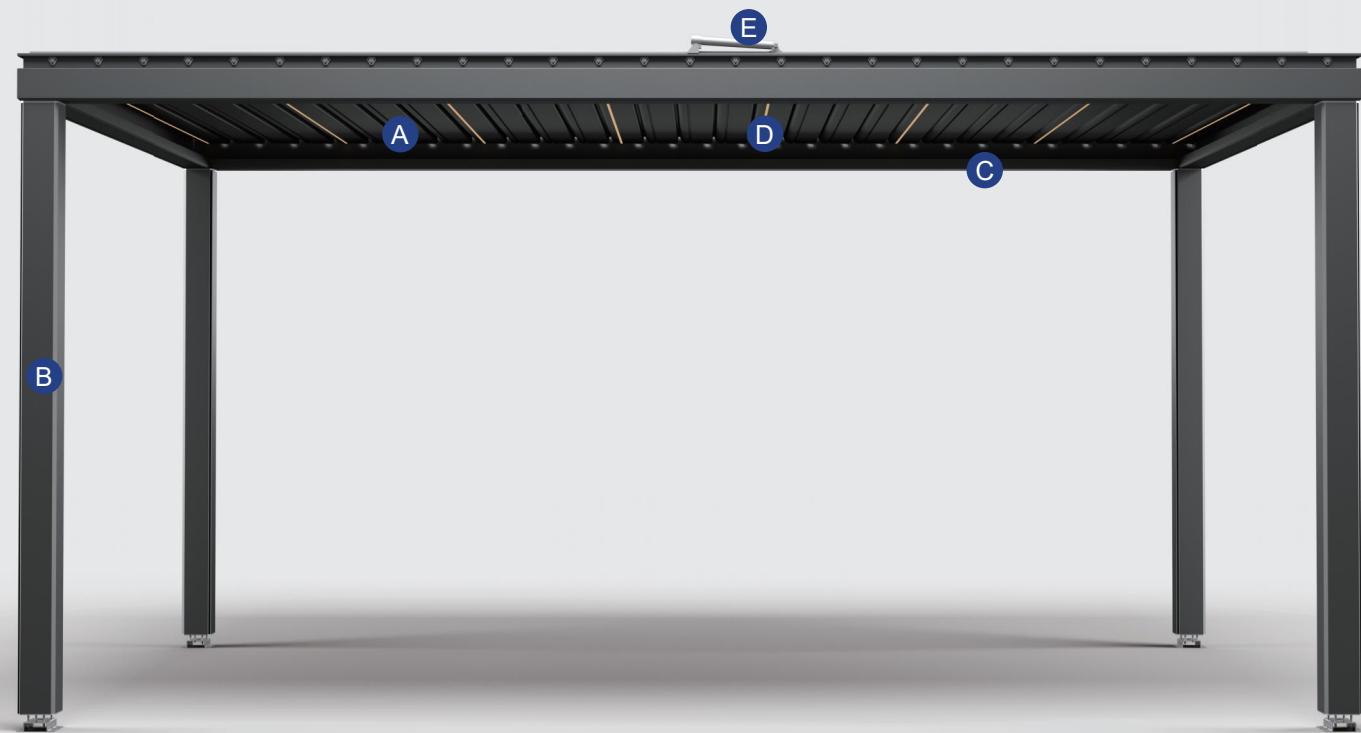



Sliding Glass Doors



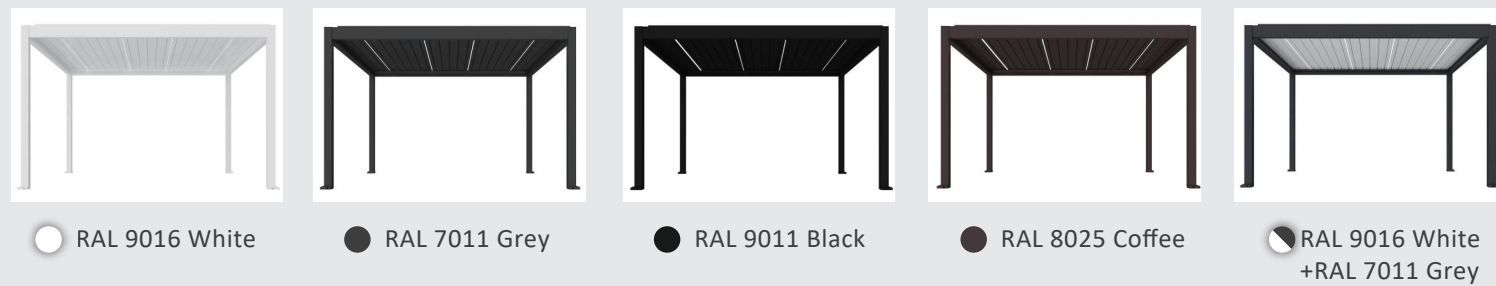
GM- 220 Series

Motorized Pergola



- A Blade
- B Post
- C Beam&Gutter
- D Led Light Strip
- E Motor

COLOR OPTION Support custom colors !

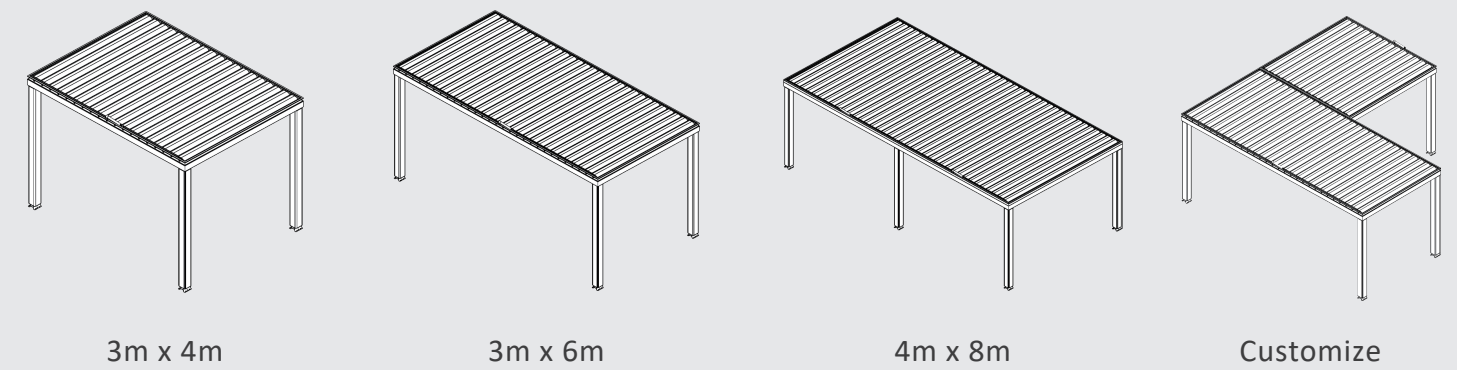


MAIN PROFILES

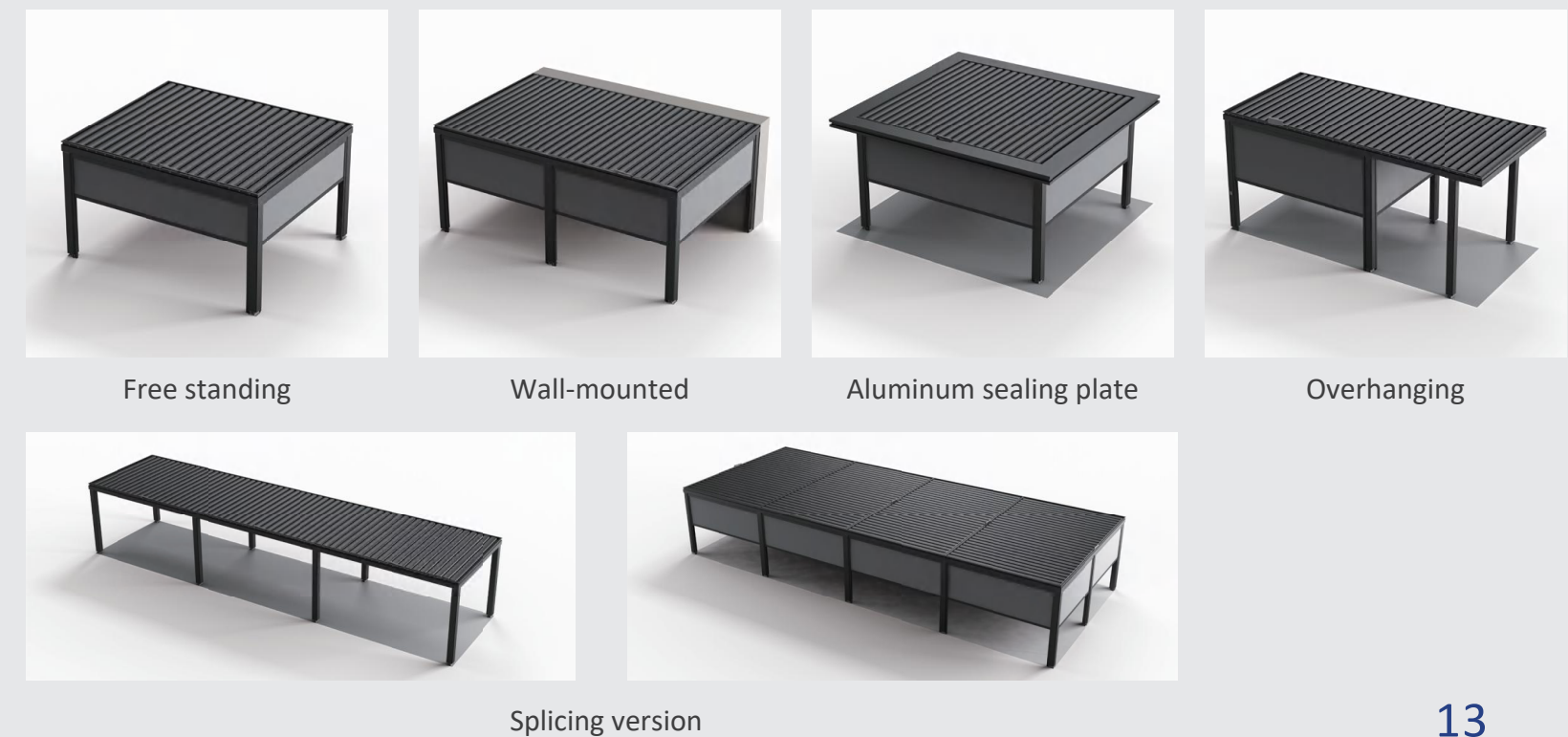
Material	Aluminum 6063-T5
Standard Size	3x3m,3x4m,3x6m,4x4m,4x6m,4x8m (Max 4 Post size: 3mx6m & All Range Size Customised)
Standard Height	2.5/2.8/3.0m
LED Lights Color	3800K warm light / 4000K white light
Motor Waterproof Rating	IP67



STANDARD SIZE



DESIGN OPTION

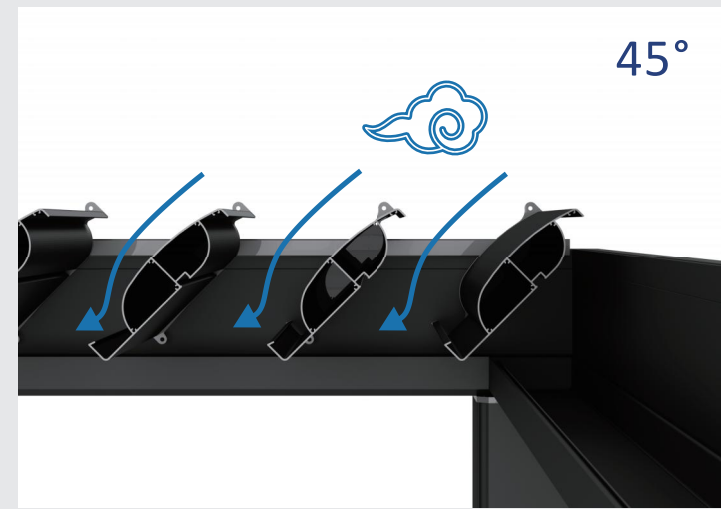


DRAINAGE SYSTEM

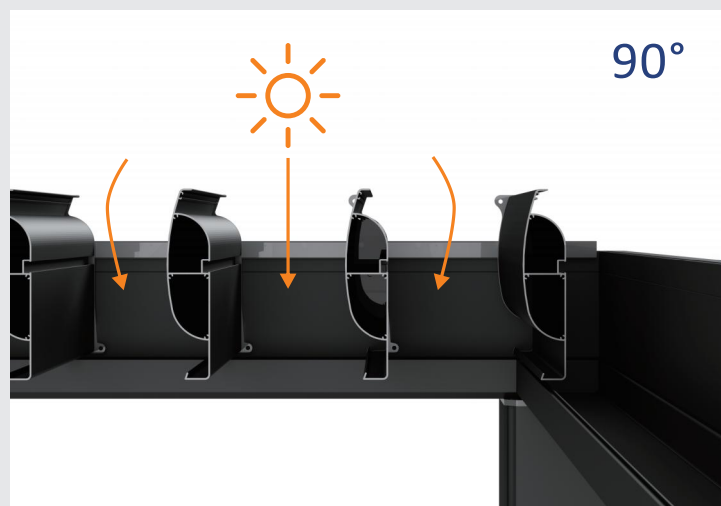
In the event of rain, our pergola is closed to provide complete protection. Water is channeled away discreetly through the internal drain hidden inside the post.



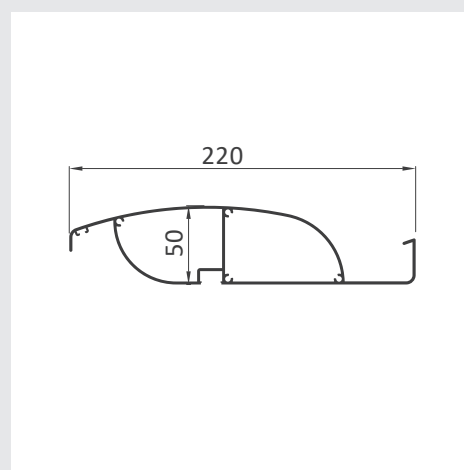
Louvers are designed such that they will interlock to keep out the water, hot sun and snow. Deep channels in each louver carry water away to the in-built surrounding gutter.



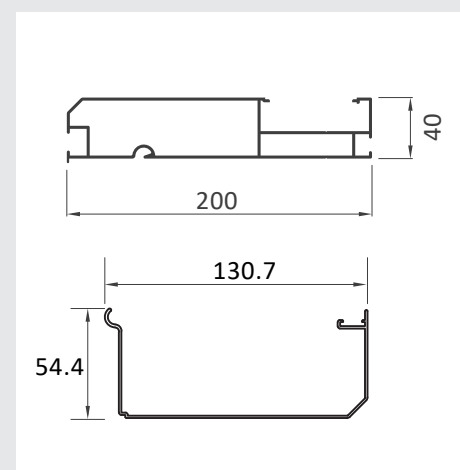
Tilt the louvers like that, the sun is blocked and the fresh air can flush through the opening gaps.



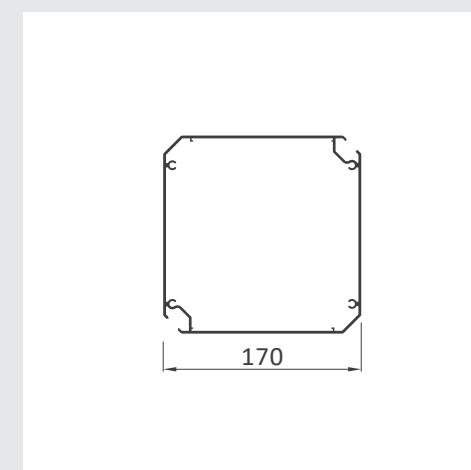
In winter or cooler weather enjoy the natural warmth of sunlight by tilting the louvers to the desired angle with the fingertip touch of your remote control.



220 Blades



200 Side beam & Gutter



170 Column

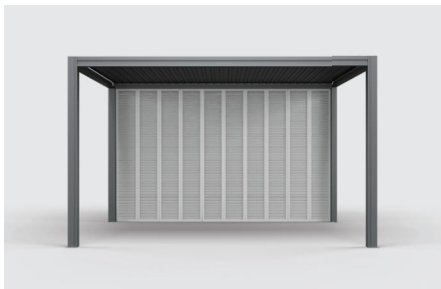




Aluminium
Motorized Side Screen



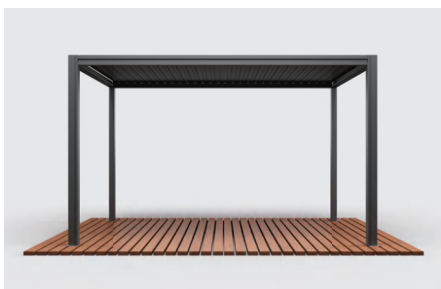
Aluminium
Privacy Slat Wall



Aluminium
Louver Shutters



Outdoor Furniture



WPC Decking



Sliding Glass Doors



OPTIONAL ITEMS

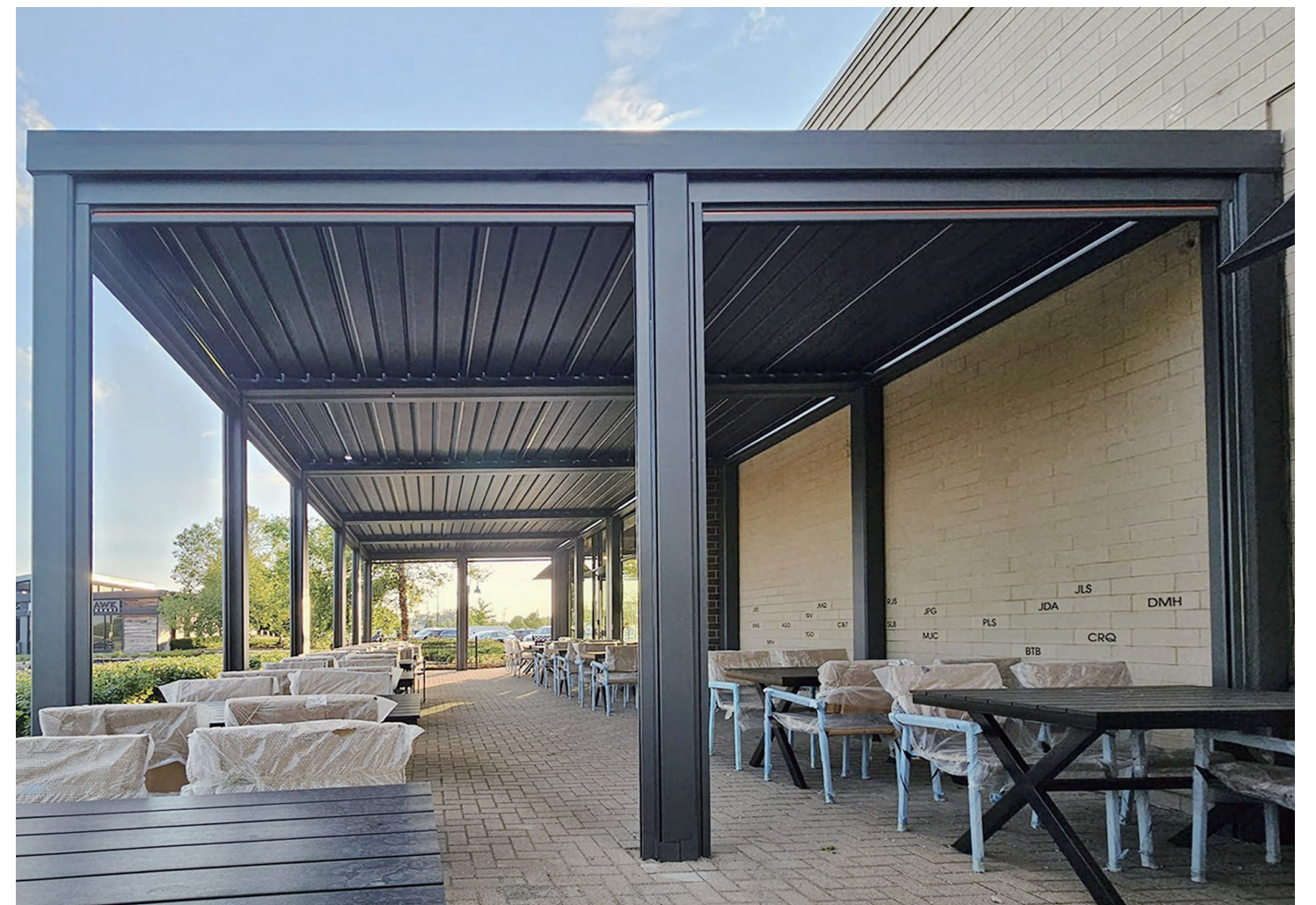
Can be matched with different items according to your needs.

PROJECT CASES









OTHER PRODUCTS



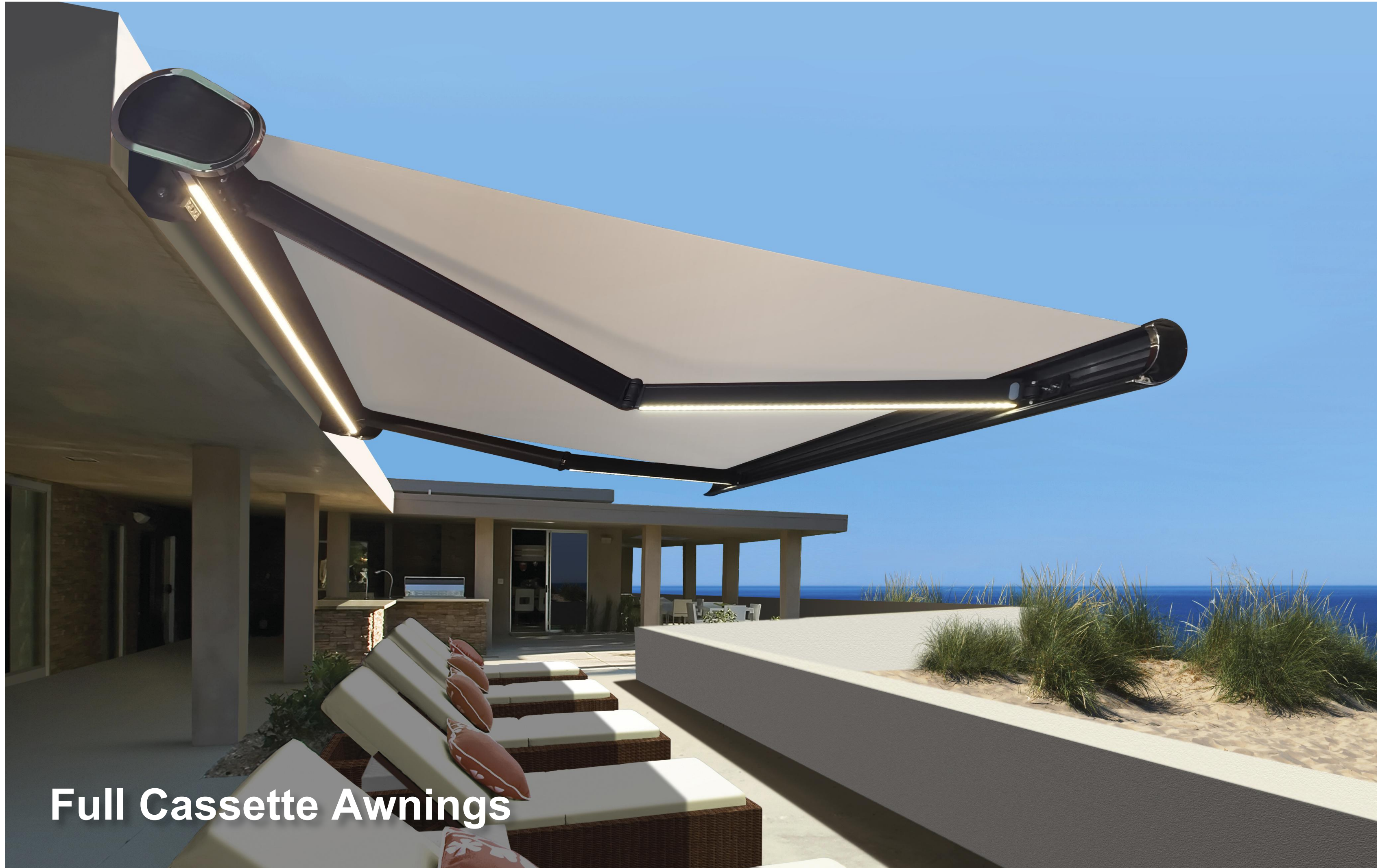
Zip Screen

OTHER PRODUCTS



Retractable Awning

OTHER PRODUCTS



Full Cassette Awnings



CONTACT US

 www.gm-outdoor.com Email: gumeisale4@gmail.com

 No. 1, Block B, No. 7, Shakeng Qixing Industrial Zone, Luocun, Shishan Town, Foshan, Guangdong, China

 +86 17817802752